

S2755RT

NARROW ROUGH TERRAIN SCISSOR LIFTS



- Narrow compact diesel rough terrain scissor lifts
- Excellent rough terrain performance
- Easy to operate
- Roll-out deck extension for extra reach
- Ideal for outdoor work in confined spaces

AUSLIFT
EQUIPMENT

snorkelTM

www.auslift.com.au

NARROW ROUGH TERRAIN SCISSOR LIFTS

S2755RT

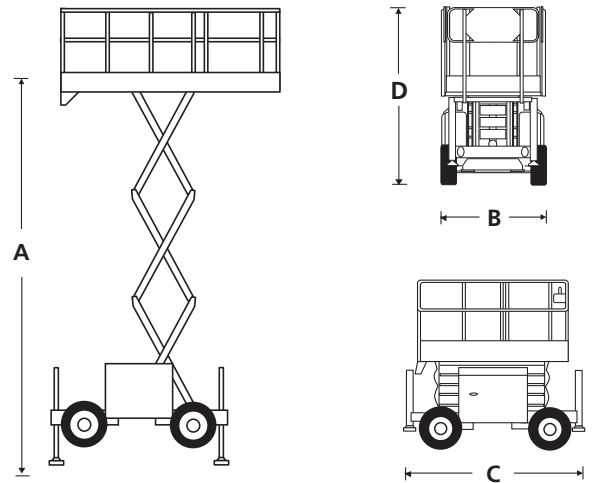
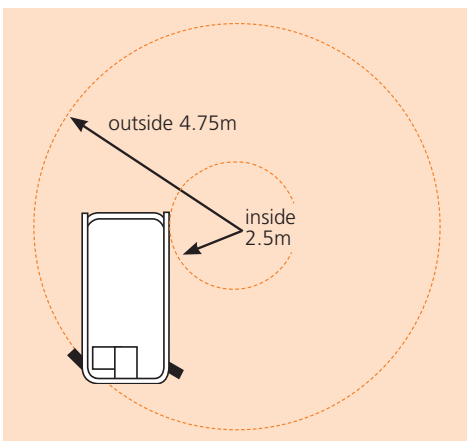
DIMENSIONS	S2755RT	S2755RT
Max. working height	10.1m	
Max. platform height (A)	8.1m	
Platform size (stowed)	1.4m x 2.73m	
Platform size (extended)	1.4m x 3.93m	
Extension deck length	1.2m	
Overall width (B)	1.45m	
Overall length (C)	3.3m	
Stowed height (D)	2.5m	
Min. height (guardrails folded)	2.13m	
Ground clearance	260mm	

PERFORMANCE		
Platform capacity (SWL)	300kg	
Max. drive height	7.8m	
Max. wind speed	12.5m/s	
Max. drive speed (stowed)	5.2km/h	
Max. drive speed (elevated)	0.5km/h	
Raise/lower time	26/30 sec	
Gradeability	35%	
Max. outrigger levelling, front to rear	6°	
Max. outrigger levelling, side to side	10°	
Inside turning radius	2.5m	
Outside turning radius	4.75m	
Exit/entry angle	20°	
Tyres	0.58m x 0.22m - 12 non-marking	
Controls	proportional joystick	
Drive system	4 wheel drive	

POWER		
Power source	Kubota diesel engine	

WEIGHT		
Weight	2,750kg	

TURNING RADIUS



STANDARD FEATURES

- 4 wheel drive
- 4 hydraulic outriggers with automatic levelling
- Roll-out deck extension
- Proportional controls
- Non-marking tyres
- Power line to platform
- Drive motion alarm
- Descent alarm
- Manual lowering valve
- Flashing amber light
- Dual lanyard attachment points
- Articulating axle
- Hour meter
- 2 year parts & labour, 5 year structural warranty
- CE approved

OPTIONS

- Special paint colours
- Nylon spreader pads (set of 4)
- Environmental hydraulic oil

AUSLIFT

EQUIPMENT

Auslift Equipment Pty. Ltd.
 Factory 2/2-4 Souffi Place,
 Dandenong South, Vic 3175.
 T: (03) 9702 7977
 E: sales@auslift.com.au
 www.auslift.com.au